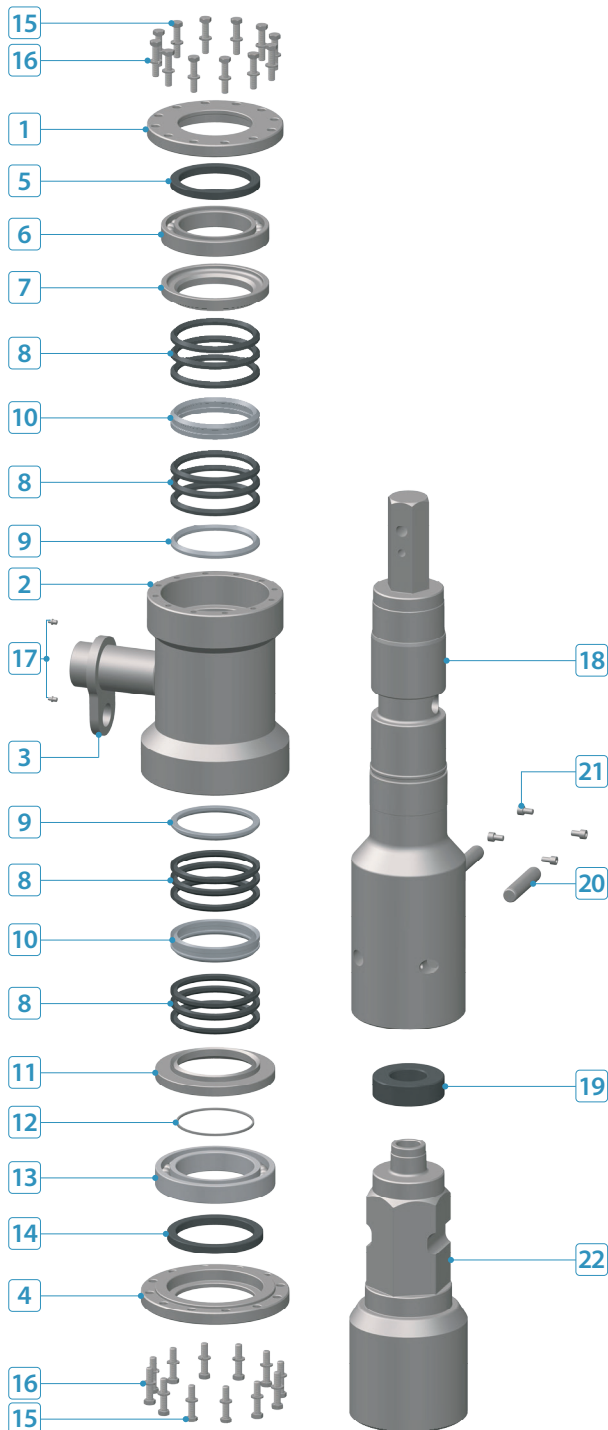


SWIVEL+SHOCK ABSORBER COMBINED UNITS



TYPE B - BUFFER TYPE

COMPONENT PART



No.	DESCRIPTION	Q'TY	PART #
1	Flange 01	1	D379-07-C57000
2	Tube	1	D379-07-C04000
3	Tube Socket & Guide	1	D379-07-C59000
4	Flange 02	1	D379-07-C58000
5	Oil Seal	1	D379-07-C60000
6	Bearing	1	D379-07-C48000
7	V-Packing Busing 3	1	D379-07-C61000
8	V-Packing (12ea = 1set)	12	D379-07-C62000
9	V-Packing Busing 1 (2ea = 1set)	2	D379-07-C63000
10	V-Packing Busing 2	1	D379-07-C64000
11	V-Packing Busing 4	1	D379-07-C65000
12	Snap Ring	1	D379-07-C56000
13	Bearing	1	D379-07-C48000
14	Oil Seal	1	D379-07-C60000
15	Hexagon Head Bolt (24ea = 1set)	24	D379-07-C67000
16	Washer (24ea = 1set)	24	D379-07-C30000
17	Nipple	2	D379-07-C51000
18	Cushion Device	1	D379-07-C212HP
19	Buffering	1	D379-07-C07000
20	Cushion Device Locking Pin	2	D379-07-C68000
21	Locking Bolt	4	D379-07-C69000
22	Female Joint	1	D379-07-C70FRB

SPECIFICATIONS

Length	37.9"	962 mm
Weight	425.5 lbs.	193 kg
Connection (Custom Order Products)	6-5/8" API Reg BOX & HEX 2.5" PIN	